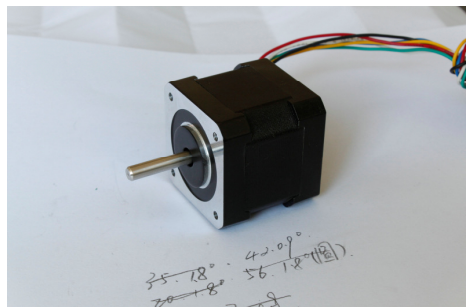


## Model: NEMA17 Stepper motor-SM42HM (0.9 degree)



### General Specification:

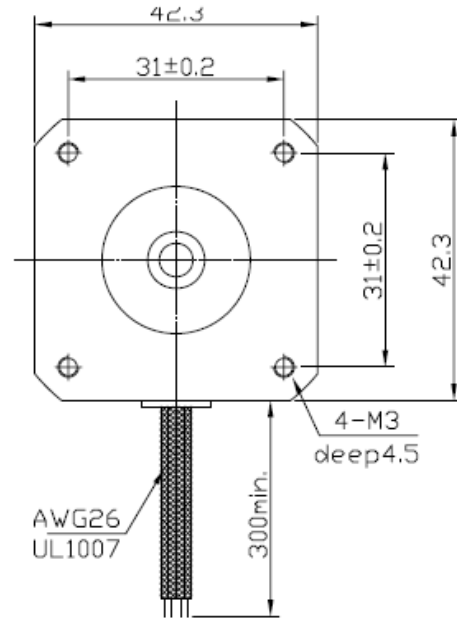
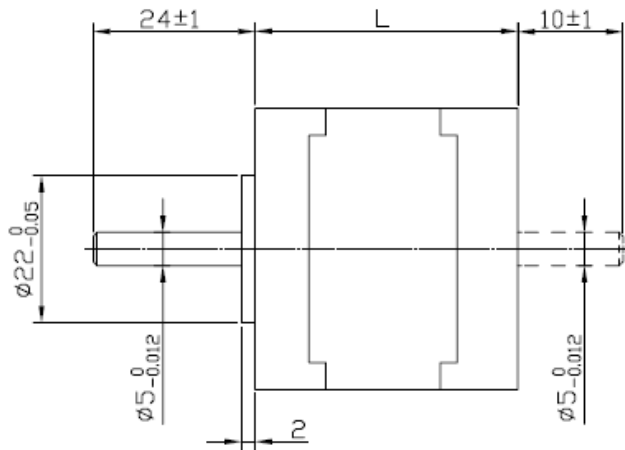
Step Accuracy	-----	±5%
Resistance Accuracy	-----	±10%
Inductance Accuracy	-----	±20%
Temperature Rise	-----	80°C MAX.
Ambient Temperature Range	-----	-20°C~ +50°C
Storage Temperature Range	-----	-30°C~ +60°C
Insulation Resistance	-----	100M Ω MIN. 500V DC
Dielectric Strength	-----	500V AC 1min
Radial Play	-----	0.02mm MAX. (450g Load)
End Play	-----	0.08mm MAX. (450g Load)
Max. radial force	-----	28N
Max. axial force	-----	10N

### Electrical Specification:

Model No.	Step Angle	Motor Length	Current /Phase	Resistance /Phase	Inductance /Phase	Holding Torque	Lead wires	Detent Torque	Rotor Inertia	Motor weight
	( ° )	(L)mm	A	Ω	mH	kg.cm	No.	g.cm	g.cm <sup>2</sup>	Kg
SM42HM34-0956	0.9	34	0.95	4.2	4	1.58	6	200	35	0.22
SM42HM34-0606	0.9	34	0.6	10	9.5	1.58	6	200	35	0.22
SM42HM34-0316	0.9	34	0.31	38.5	33	1.58	6	200	35	0.22
SM42HM34-1334	0.9	34	1.33	2.1	4.2	2.2	4	200	35	0.22
SM42HM40-1206	0.9	40	1.2	3.3	3.4	2.59	6	220	54	0.28
SM42HM40-0806	0.9	40	0.8	7.5	6.7	2.59	6	220	54	0.28
SM42HM40-0406	0.9	40	0.4	30	30	2.59	6	220	54	0.28
SM42HM40-1684	0.9	40	1.68	1.65	3.2	3.3	4	220	54	0.28
SM42HM48-1206	0.9	48	1.2	3.3	4	3.17	6	250	68	0.35
SM42HM48-0806	0.9	48	0.8	7.5	10	3.17	6	250	68	0.35
SM42HM48-0406	0.9	48	0.4	30	38	3.17	6	250	68	0.35
SM42HM48-1684	0.9	48	1.68	1.65	4.1	4.4	4	250	68	0.35

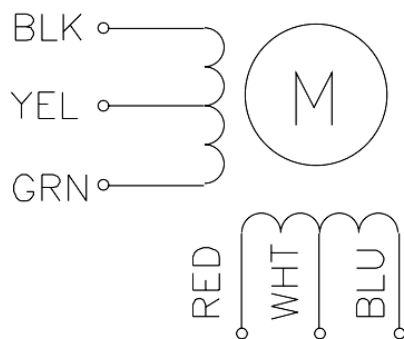
\***Note:** We can also manufacture products according to customer's requirements.

**Dimensions:  
(Unit=mm)**



**Wiring Diagram:**

6 LEADS



4 LEADS

